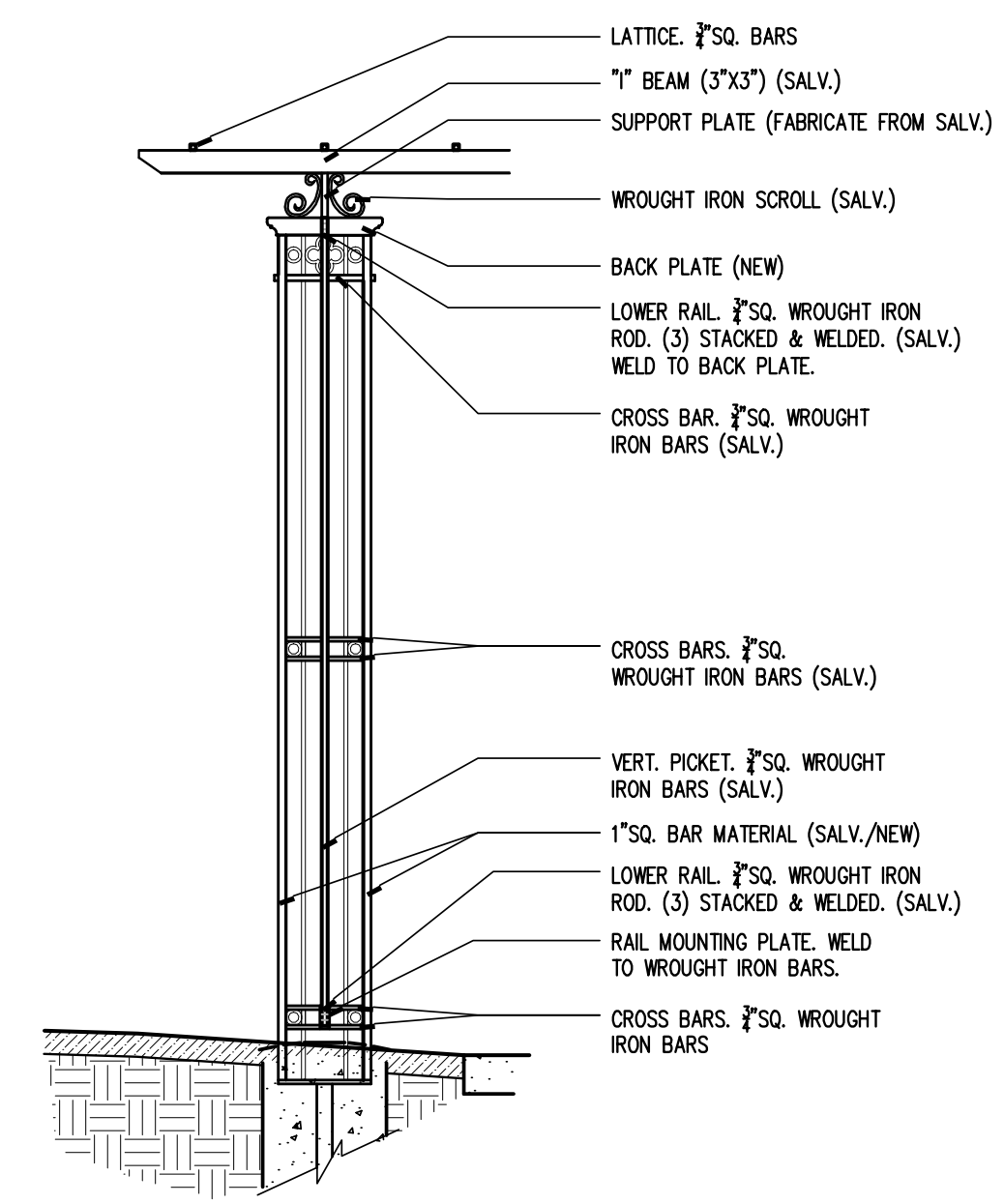


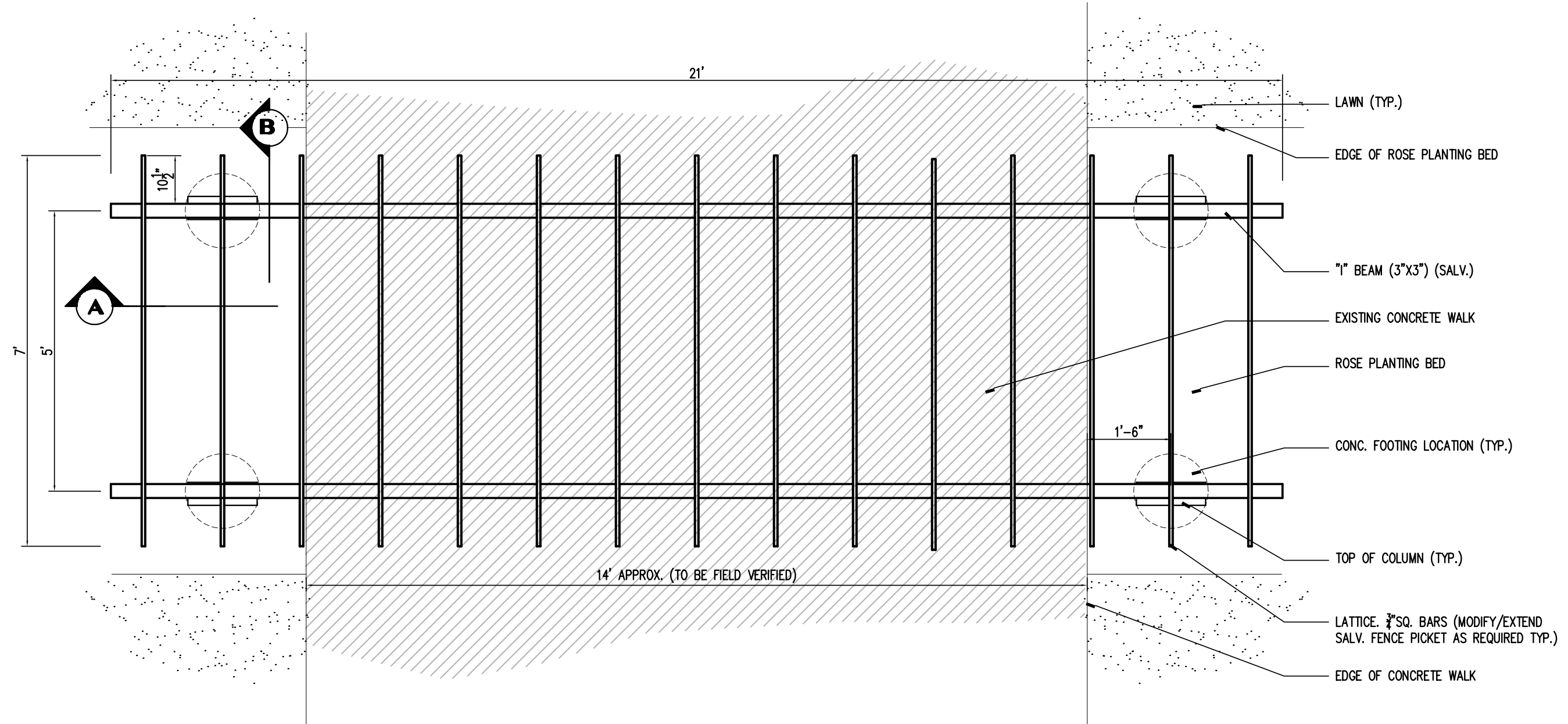
PROGRESS PRINT
 DATE: February 25, 2010
 NOT FOR CONSTRUCTION

ISSUE DATE	
DATE	DESCRIPTION
FEBRUARY 25, 2010	REVIEW

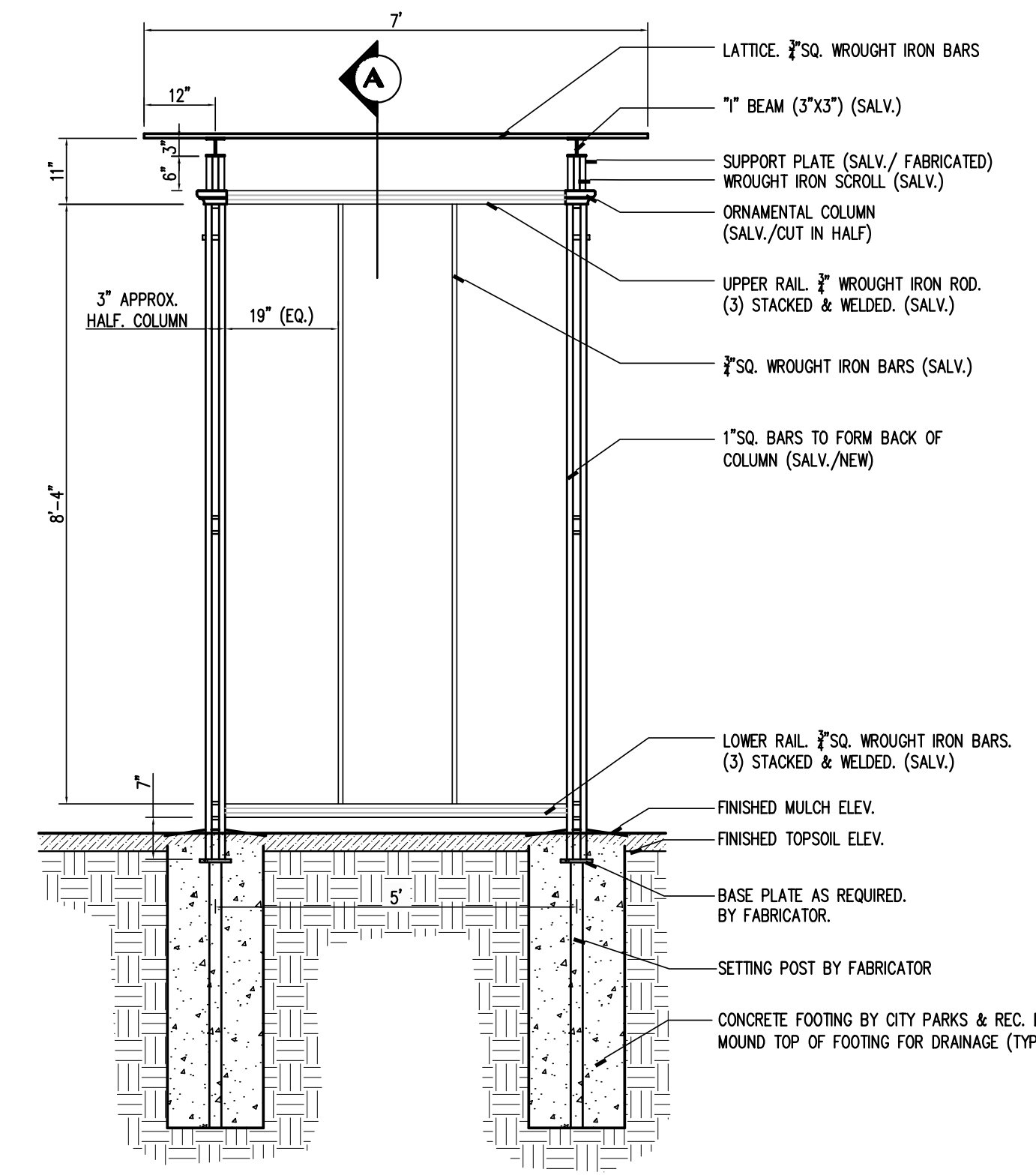
REVISIONS	
DATE	REFERENCE



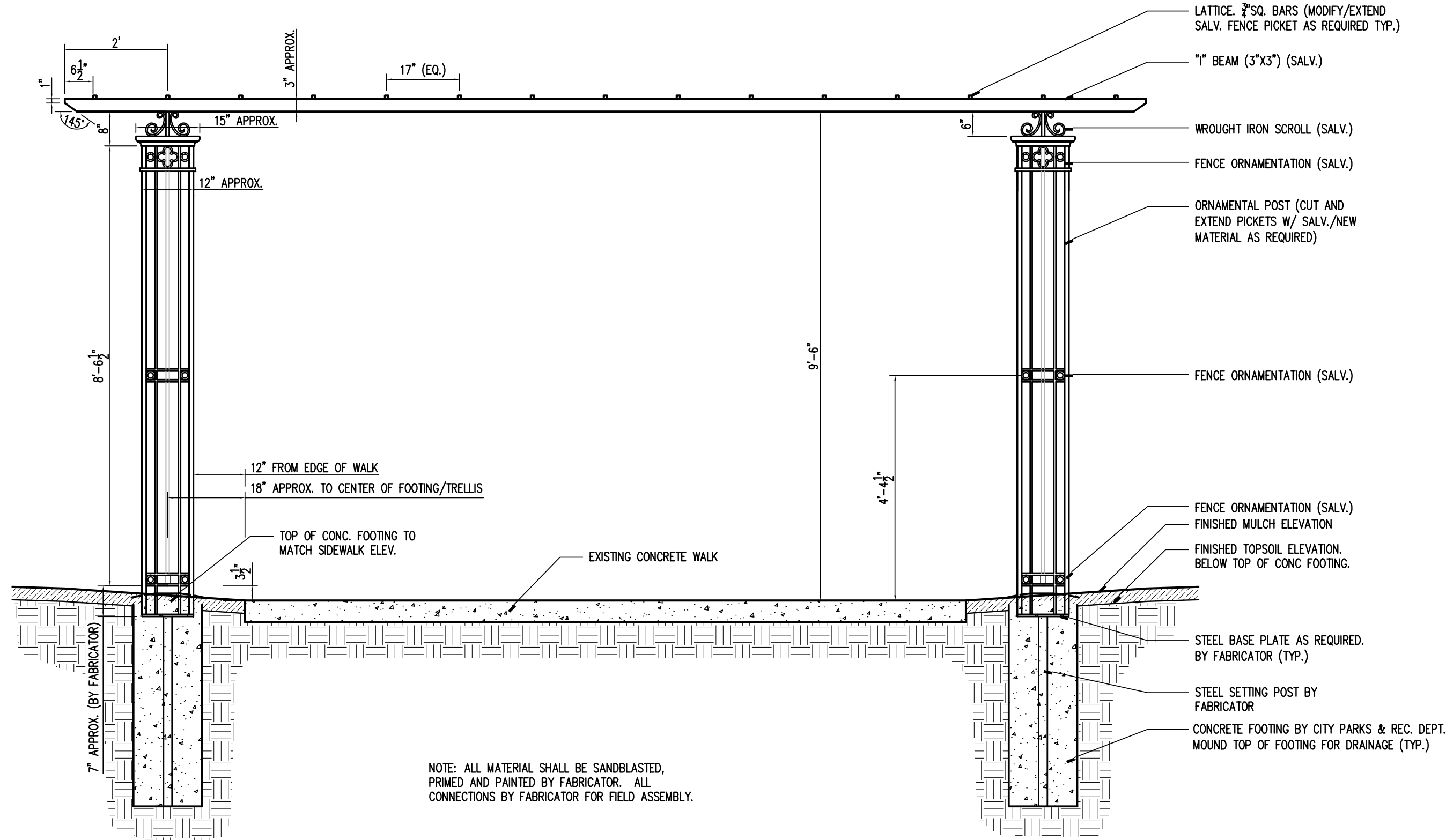
SECTION A



PLAN

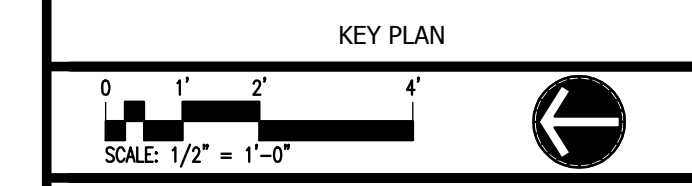


SECTION B



ELEVATION

NOTE: ALL MATERIAL SHALL BE SANDBLASTED, PRIMED AND PAINTED BY FABRICATOR. ALL CONNECTIONS BY FABRICATOR FOR FIELD ASSEMBLY.



1 ROSE GARDEN TRELLIS
 N.T.S

THE WALNUT HILL ROSE GARDEN
 NEW BRITAIN, CT

PROJECT NO.: 09030.00 DRAWN BY: BSW

SITE DETAILS

DRAWING NO.: **L2.01**

2010 © COPYRIGHT KAESTLE BOOS ASSOC., INC.